

1

2

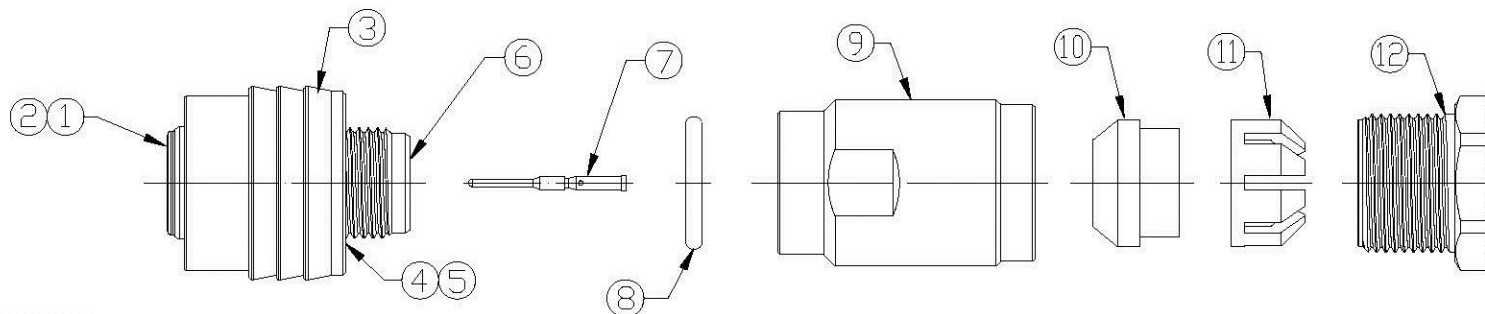
3

4

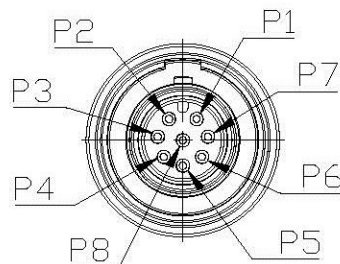
Notes: (Unless Otherwise Specified)

- 1. Waterproof Rate : IP68
- 2. Cable Diameter: 5.0 to 6.0 mm
- 3. Recommend Cover Torque: 15~16 Kgf-cm
- 4. Recommend Gland Nut Torque: 19~20 Kgf-cm
- 5. RoHS Compliant

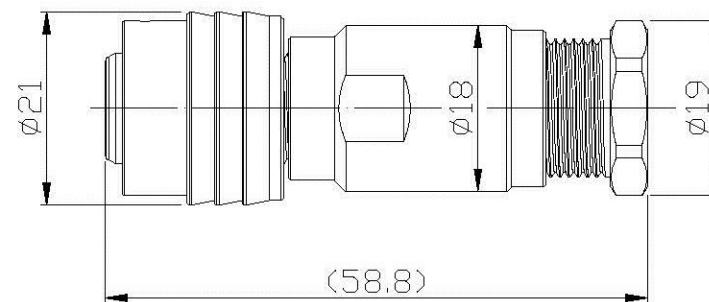
GTC
DOC.CENTER.ISSUE
JAN.28.2013
ONLY FOR
RELEASE



12	Metal Gland Nut	Copper Alloy Finish: Ni Plated	1
11	Cage	Thermoplastic Color: White	1
10	Gland	Silicon Color: Green	1
9	Metal Cover	Copper Alloy Finish: Ni Plated	1
8	O-Ring	Silicon Color: Black	1
7	Contacts	Copper Alloy Finish: Au Plated	8
6	Base	Thermoplastic Color: Black	1
5	Metal Holder	Copper Alloy Finish: Ni Plated	1
4	Spring	SUS Finish:-	1
3	Metal Push Nut	Copper Alloy Finish: Ni Plated	1
2	Housing	Thermoplastic Color: Black	1
1	Metal Body	Copper Alloy Finish: Ni Plated	1
Item	Part Name	Material / Finish	Qty



Pin Assignment



REV	ECN#	DESCRIPTION OF REVISION	DRAW BY DATE	CHECK BY DATE	APPROVE BY DATE
A0		Mass Production	Hank 01/14/13	Ray 01/14/13	Ray 01/14/13

TITLE Push Lock M16 2A 8P Field Installable Cable End Male Crimp						DRAWING NUMBER GT261111-12082		REV. A0	
---	--	--	--	--	--	----------------------------------	--	------------	--

THIRD ANGLE PROJECTION	SIZE B	SCALE 1:1	DRAW / DATE Hank 01/14/13	CHECK / DATE Ray 01/14/13	APPROVE / DATE Ray 01/14/13	TOLERANCES X.X ± 0.5 X.XX ± 0.2	UNIT mm	ANGLES X.XXX ± 0.05 ± 1°	SHEET 1/1
------------------------	-----------	--------------	------------------------------	------------------------------	--------------------------------	---------------------------------------	------------	--------------------------------	--------------

All Connectors

phone: 0049 711 7009501
 70734 Filzstett - Germany
 info@allconnectors.de
 Fax: 0049 711 7009504
 Kallertstr. 25

THE INFORMATION CONTAINED HEREIN IS THE PROPRIETARY PROPERTY OF GT CONTACT CO., LTD. THE POSSESSOR AGREES TO THE FOLLOWING:
 (1) TO MAINTAIN THIS DOCUMENT IN CONFIDENCE
 (2) NOT TO REPRODUCE OR COPY IT
 (3) NOT TO REVEAL OR PUBLISH IT IN WHOLE OR PART
 (4) ALL RIGHTS RESERVED

1

2

3

4